

Satcom S65-8282-301



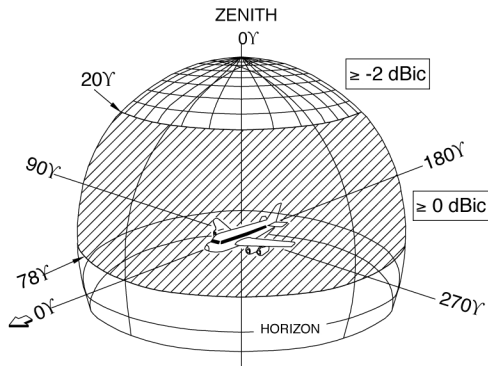
DESCRIPTION

S65-8282-301: Provides LHCP and RHCP Satcom communications in one package. Designed for use with US Military Blue Force Tracking Systems. The small aerodynamic blade is optimized for both rotor wing and fixed wing installations.

FEDERAL & MILITARY SPECS: MIL-HDBK-5400, MIL-STD-810D, D0-160C.

NSN: 5985-01-534-3058

PERFORMANCE



SPECIFICATIONS	
MODEL	S65-8282-301
ELECTRICAL	
Frequency	RX 1530-1559 MHz TX 1626.5-1660.5 MHz
VSWR	1.5:1
Polarization	J1: LHCP J2: RHCP
Impedance	50 ohms
Power Handling	60 watts CW
Gain	≥ -2 dBic @ $-20^\circ \leq \theta \leq +20^\circ$ ≥ 0 dBic @ $+20^\circ < \theta \leq +78^\circ$ ≥ 0 dBic @ $-20^\circ > \theta \geq -78^\circ$ 0° = Zenith
Axial Ratio	8 dBic MAX @ $45^\circ \leq \theta \leq +45^\circ$ 15 dBic MAX @ $+45^\circ < \theta \leq +78^\circ$ 15 dBic MAX @ $-45^\circ > \theta \geq -78^\circ$
Lightning Protection	DC grounded
MECHANICAL	
Weight	2.5 lbs.
Height	4.55 in.
Length	10.75 in.
Width	3.80 in.
Material	6061-T6 aluminum / thermoset plastic
Finish	Skydrol-resistant enamel
Connector	TNC
Drag	1.1 lbs. Mach .85 @ 35,000 ft.
ENVIRONMENTAL	
Temperature	-55°C (-67°F) to +85°C (+185°F)
Altitude	70,000 ft.

